

## Jasper PCBs marked v2.1 – Minor 'phones out error

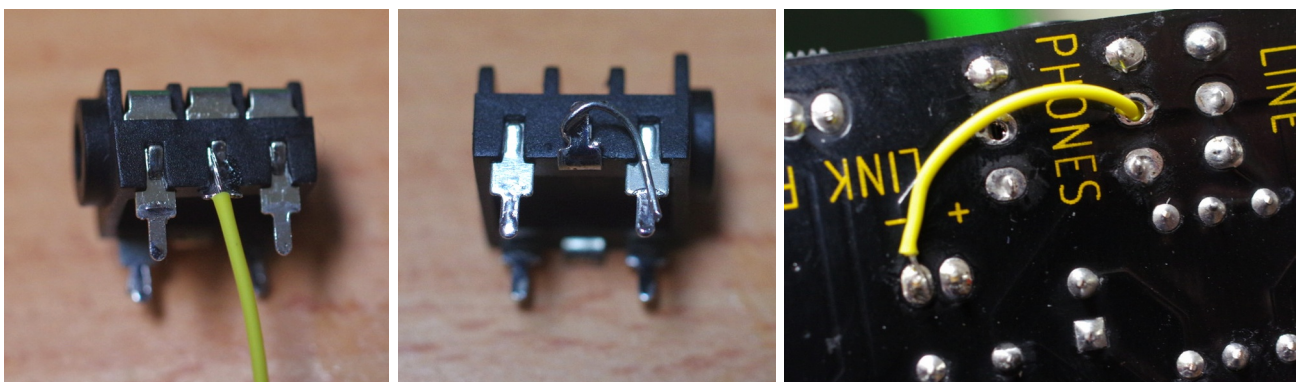
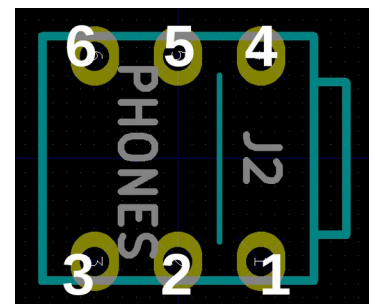
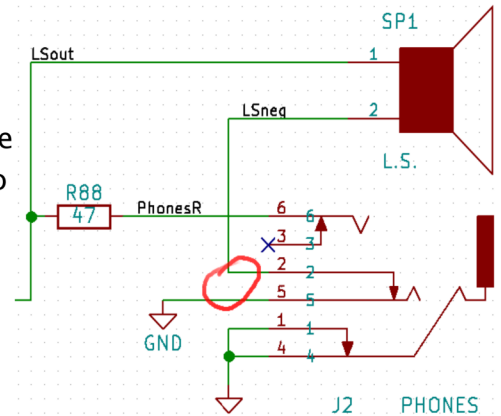
A very small error crept in with the 'phones output jack with the 4<sup>th</sup> run Jasper PCBs. It doesn't affect the operation of the synth at all, and can be easily fixed if necessary.

When the cable is plugged into the 'phones jack socket, the speaker is disconnected by the switch as normal, but audio is routed out of one channel only. It works fine with a mono 3.5mm patch lead, but with a stereo lead, the signal only comes out the left hand channel.

In any case modern headphones and powered speakers work best with the line-out jack – this works correctly on both channels. Also if you are wiring up external ¼" jack sockets this isn't an issue, just make sure the wires go to the correct pads.

It is possible to mod it to correct the error if you wish. It is necessary to route the LSneg line to pin 5 of the jack, and connect pin 2 to GND.

1. Using some small pliers, carefully bend up the two centre pins on either side of the jack socket. Be careful, as it is easy to snap the legs, though it isn't disastrous if this happens. Make sure when the socket is inserted the pins don't touch the pads underneath.
2. Use a length of thin insulated hook-up wire that can fit through the hole in the PCB. This is connected to pin 2 of the jack socket – the other end can be soldered to the pad on the opposite side of the socket, or to the -ve pad of the speaker connector. It is a good idea to tin the bent socket legs and wire so the joint can be soldered quickly.
3. The other upturned leg is soldered to GND. A small link wire, or trimmed component lead, can soldered to the front leg of the socket – the closest convenient GND point – pin 1 on the drawing above. If it is thin enough it will fit through the pcb hole with the socket's pin.



This will be fixed on any subsequent PCB runs.

Apologies for any inconvenience.